

GLOBAL

HJ-2410-0300

Lever Tumbler Mortise Lock

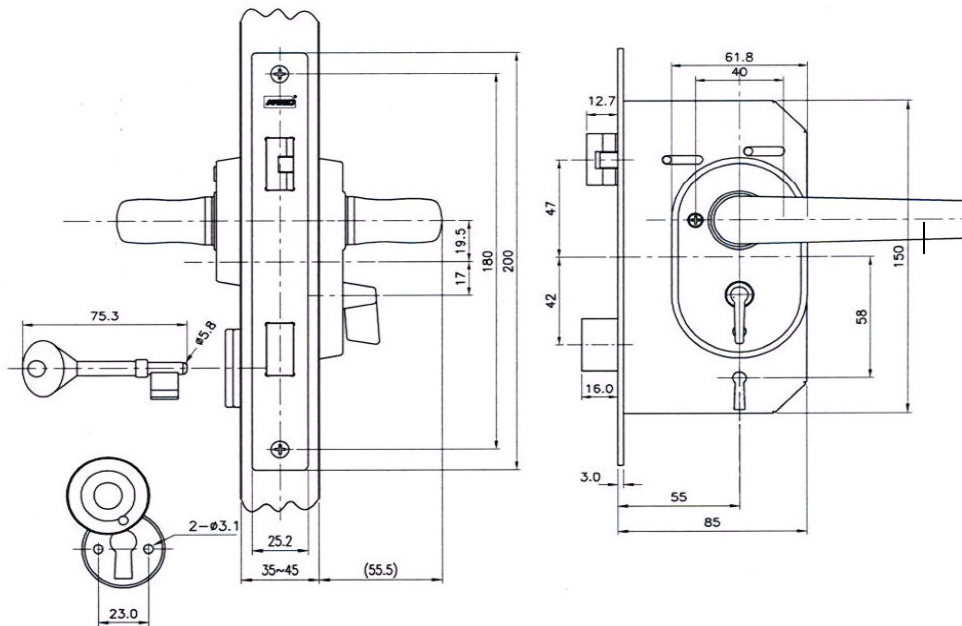
with Lever Handle (Inside Thumbturn & Outside Key)

*HIGH QUALITY
SHIP'S LOCKS
AND CABIN'S
HARDWARES*

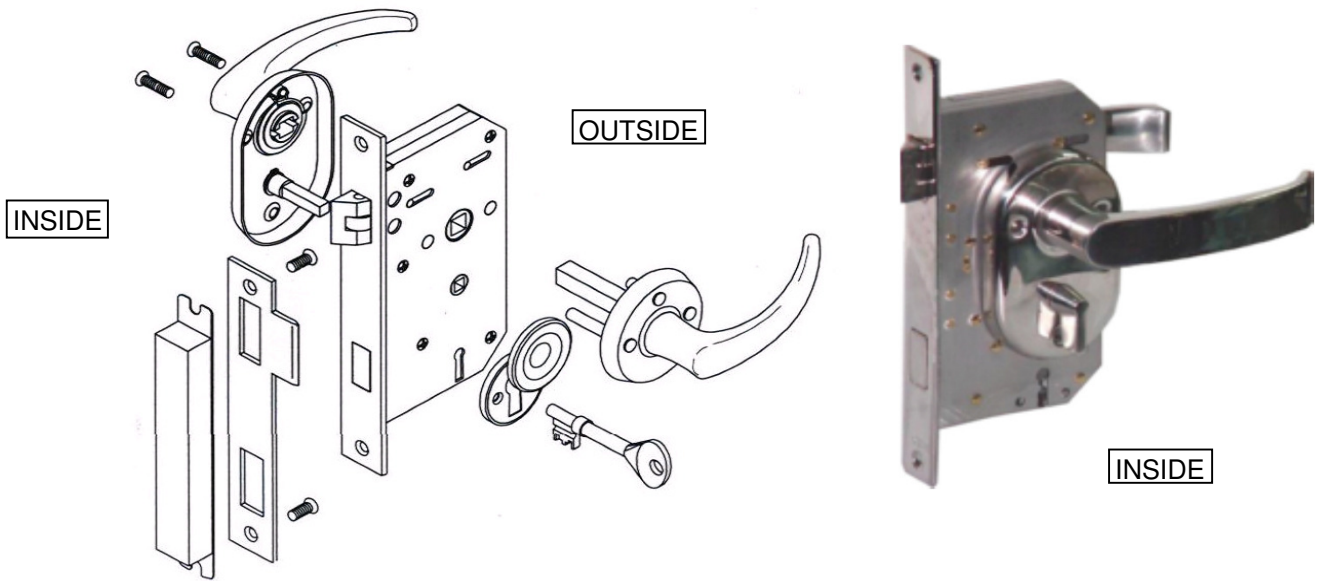
Materials

Body: Stainless Steel
Parts : Stainless Steel & Brass
Lever Handle: Stainless Steel & Brass
Keys: Brass Bar

Use: Private Cabin rooms
Weather Tight Doors
Engine Room



Handle with
Thumb-turn



BACKSET 55.0mm
DOOR THICKNESS 35~45mm (45~55mm)