

**GLOBAL**

**EX 3600-000**

**S/S Lever Tumbler Rim Lock ( for Steel Door )**  
with CP Brass Lever Handle ( Both side key )

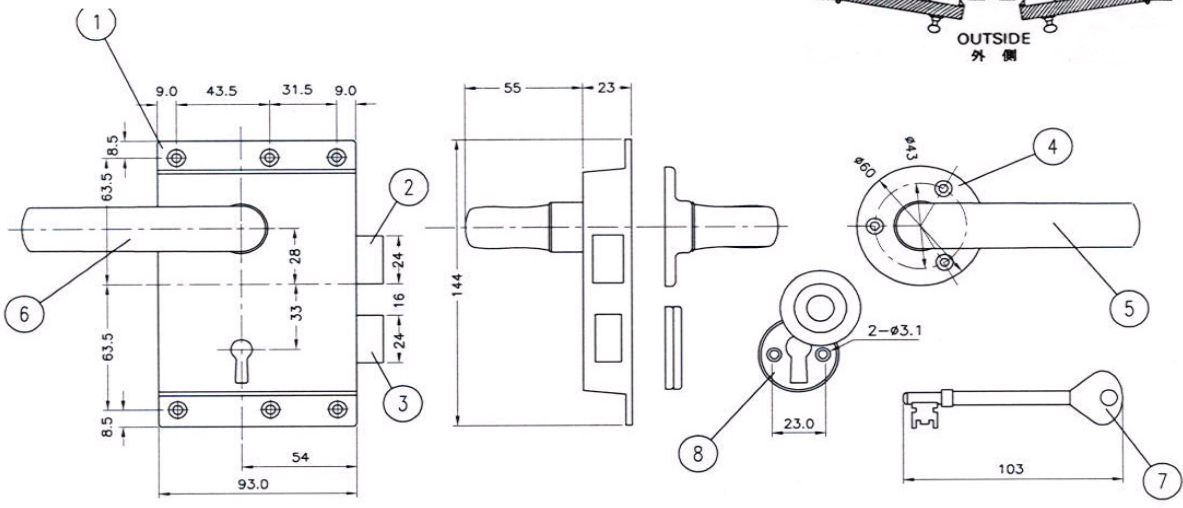
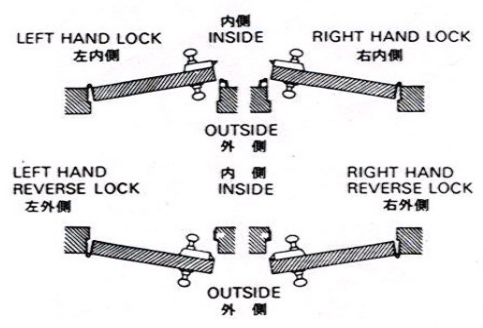
HIGH QUALITY  
SHIP'S LOCKS  
AND CABIN'S  
HARDWARES

**Materials:**  
Body: Stainless Steel  
Parts : Stainless Steel & Brass  
Lever Handle: CP Solid Brass Horn Handle  
Keys: Solid Brass

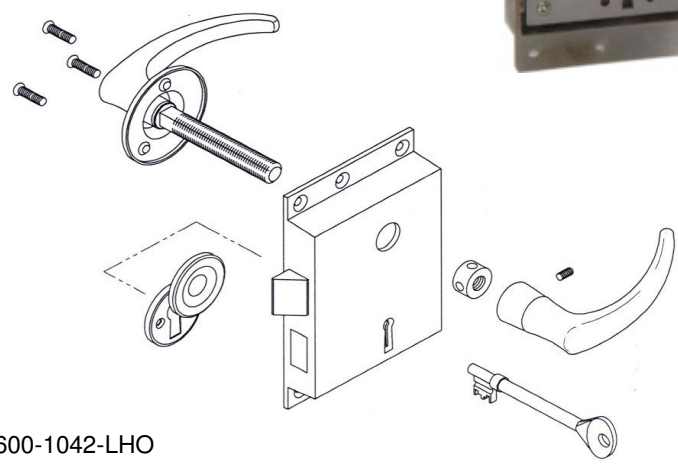
**Use:**  
Watertight Steel Doors  
Weather Tight Steel Doors  
Engine & Store Room

**Description**

**"How to Determine" Rim Latch and Locks**



**EX-3600-RHO**



**EX-3600-1042-LHO**

No:	Part Name	Material	Plating
1	Lockcase	S/S Casting	Polished
2	Latch Bolt	Solid Brass	Chrome
3	Dead Bolt	Solid Brass	Chrome
4	Handle Rose	S.Steel	Polished
5	Handle	Solid Brass	Chrome
6	Handle	Solid Brass	Chrome
7	Rod Key	Solid Brass	Chrome
8	Escutcheon	S.Steel	Polished