

GLOBAL

EX 2305-2033

CYLINDER MORTISE LOCKSET

with Lever Handle & Thumbturn

HIGH QUALITY
SHIP'S LOCKS
AND CABIN'S
HARDWARES

Materials:

Body:

Stainless Steel

Parts :

Stainless Steel & Brass

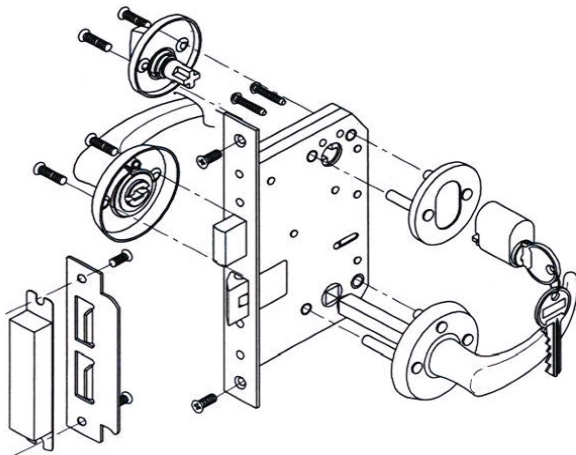
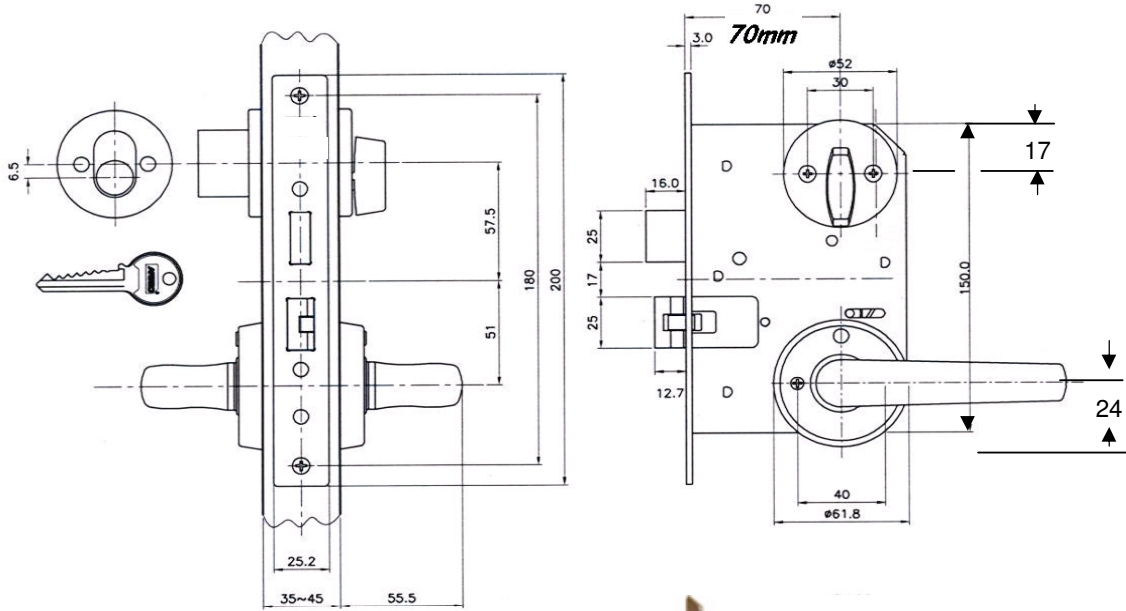
Lever Handle:

Stainless Steel & Brass

Used:

Private & Cabin Room

Passage & Store Room



BACKSET 70mm
DOOR THICKNESS 45~55mm
CYLINDER 6PIN TUMBLER