

GLOBAL

EX-2230-2033

CYLINDER MORTISE DOOR LOCK

with Lever Handle & Thumbturn

Materials:

Stainless Steel

Body:

Stainless Steel

Parts:

Stainless Steel & Brass

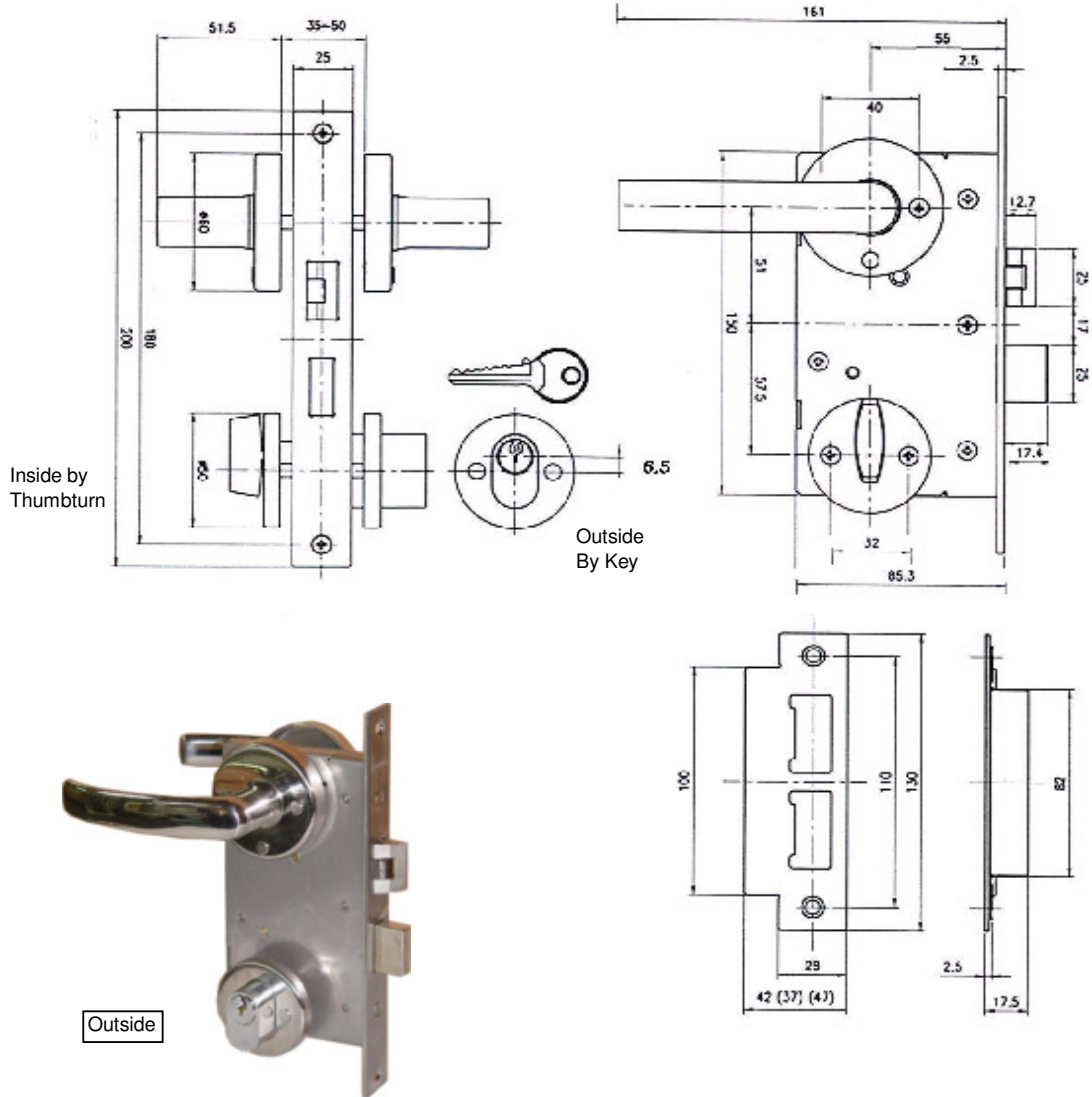
Lever Handle:

Stainless Steel & Brass

Used:

Private & Cabin Room

Passage & Store Rooms



Picture shows Left Hand Inside swing

Backset: 50mm
Door Thickness: 35~45mm
Special Thickness: 45~55mm